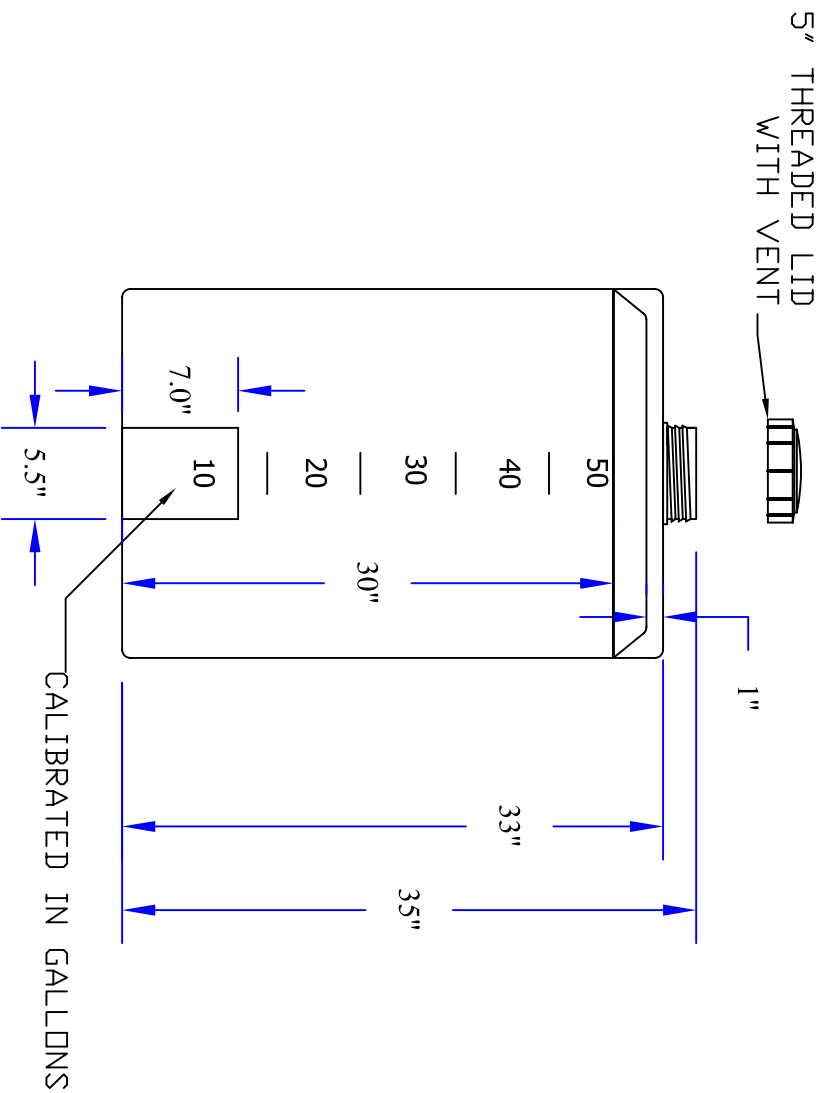
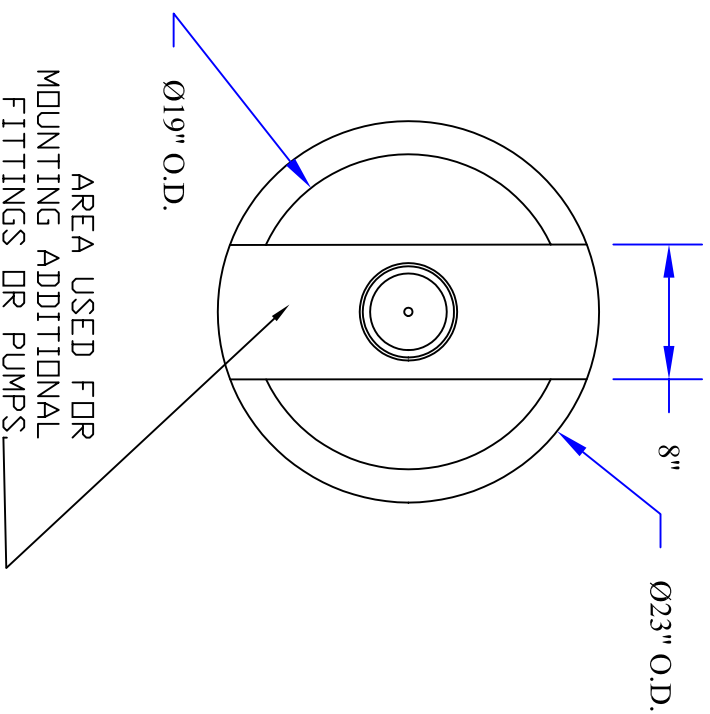


# SIDE VIEW



# TOP VIEW



		DRAWN / DATE MPS/5/14/02		MATERIAL / SHOT WEIGHT HDPE 22 LBS.		CLIENT / DESCRIPTION 50 GALLON VERTICAL TANK	
REV	DIA CHANGED	1/02	APPRD	APPRD	APPRD	<b>BALLIFF ENTERPRISES, INC.</b> 8423 AIRLINE DRIVE, HOUSTON, TEXAS 77037 PHONE (281) 447-5372 FAX (281) 999-1223	
REV	DESCRIPTION	DATE	APPRD	APPRD	APPRD	SCALE N.S. PART NO. VTB50-23	
ALL DIMENSIONS ARE IN DECIMAL INCHES TOLERANCES UNLESS OTHERWISE SPECIFIED $\pm .5\% @ 68^{\circ} F$							
				THIRD ANGLE PROJECTION ANSI 14.5M			