



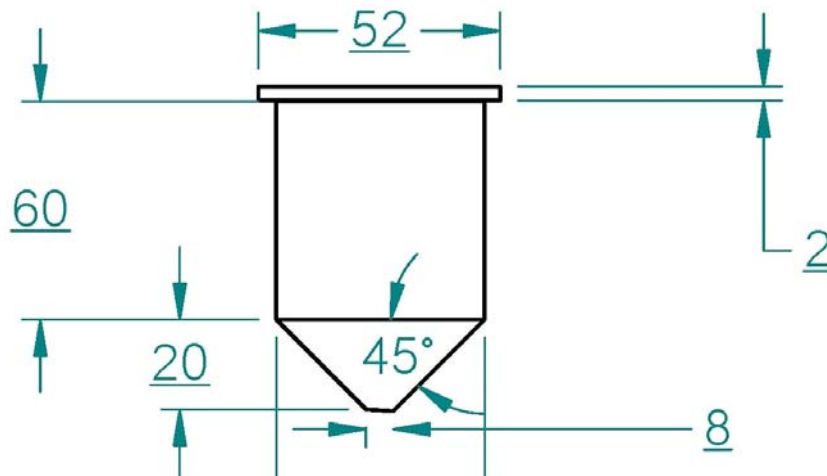
Bailiff Enterprises, Inc. USA

**Custom Rotational Molding
&
Custom Plastic Fabrication**

POLYETHYLENE-POLYPROPYLENE-PVDF

Specializing in Plastic Storage Tanks

NEW! Open Top Cone Bottom Tanks NEW!



100 Gallon, 150 Gallon and 500 Gallon Sizes!

For more information and for detailed drawings, visit
www.plasticstoragetanks.com

8423 Airline Drive, Houston, Texas 77037
Phone 281-447-5372 Fax 281-999-1223
Fabrication and Distribution—Houston, TX
Rotational molding and Distribution—Willis, TX
Distribution Yard— Corpus Christi, TX

Updated July 20, 2009. Prices subject to change without notice.



VERTICAL TANKS

Quoted tank color is Natural (milky white). **Add 10% to the price shown for optional Colors for HDPE tanks. Natural color is the only option for Polypropylene and PVDF tanks.**

Tanks are molded to a 1.9 Specific Gravity Rating unless otherwise noted.

<u>SIZE (GAL)</u>	<u>DIA X HEIGHT (")</u>	<u>LID (")</u>	<u>ITEM CODE</u>	<u>HDPE PRICE</u>	<u>Polypropylene Price</u>	<u>PVDF Price</u>
25	18 x 31	5	VTB00025-18	\$90.00	\$250.00	\$1,625.00
40	18 x 43	5	VTB00040-18	\$96.00	\$300.00	\$1,975.00
50	23 x 35	5	VTB00050-23	\$112.00	\$325.00	\$2,400.00
75	23 x 50	5	VTB00075-23	\$134.00	\$400.00	\$3,100.00
100	31 x 38	8	VTB00100-31	\$174.00	\$450.00	\$3,525.00
120	28 x 54	8	VTB00120-28	\$184.00	\$550.00	\$4,000.00
130	32 x 45	8	VTB00130-32	\$184.00	\$600.00	\$4,200.00
140	25 x 73	8	VTB00145-25	\$218.00	\$650.00	\$5,275.00
160	28 x 69	8	VTB00160-28	\$232.00	\$665.00	\$5,300.00
175	31 x 60	8	VTB00175-31	\$232.00	\$675.00	\$5,700.00
200	31 x 69	8	VTB00200-31	\$244.00	\$725.00	\$6,125.00
250	31 x 86	8	VTB00250-31	\$298.00	\$825.00	\$7,000.00
265	31 x 91	8	VTB00265-31	\$300.00	\$850.00	\$7,025.00
300	35 x 78	8	VTB00300-35.	\$332.00	\$950.00	\$8,175.00
300	48 x 45	8	VTB00300-48.	\$310.00	\$925.00	\$7,900.00
310	44 x 55	8	VTB00310-44	\$332.00	\$950.00	\$8,175.00
500	48 x 68	8	VTB00500-48.	\$414.00	\$1,225.00	\$10,500.00
550	46 x 83	8	VTB00550-46	\$440.00	\$1375.00	\$11,000.00
650	46 x 97	8	VTB00650-46	\$518.00	\$1,750.00	\$14,450.00
700	48 x 98	8	VTB00700-48	\$558.00	\$1,875.00	\$15,750.00
800	60 x 75	16	VTB00800-60	\$620.00	\$2,375.00	\$20,100.00
1,100	60 x 100	16	VTB01100-60	\$902.00	\$3,000.00	\$27,500.00
1,200	64 x 96	16	VTB01200-64	\$942.00	\$3,150.00	\$26,200.00
1,550	64 x 124	16	VTB01550-64	\$1,158.00	\$3,500.00	\$30,100.00
1,550	87 x 65	16	VTB01550-87	\$938.00	\$2,900.00	\$25,400.00
2,000	95 X 83	16	VTB02000-95	\$1,490.00		\$36,200.00
2,500	95 x 100	16	VTB02500-95	\$1,676.00		\$46,200.00
3,000	95 x 117	16	VTB03000-95	\$2,068.00		\$57,500.00
4,200	102 x 131	16	VTB04200-102	\$3,476.00		
6,000-1.5	102 x 191	16	VTB06250-102-1.5	Call		
6,000-1.9	102 x 191	16	VTB06250-102-1.9	Call		
10,500-1.5	142 x 168	16	VTB10500-142-1.5	Call		
10,500-1.9	142 x 168	16	VTB10500-142-1.9	Call		



Bailiff Enterprises, Inc. USA



These tanks are natural in color and molded to a 1.9 Specific Gravity Rating. Add 10% to the listed price for HDPE tanks made in other colors.

HORIZONTAL LEG TANKS

<u>SIZE (GAL)</u>	<u>DIA x LENGTH (")</u>	<u>LID (")</u>	<u>ITEM CODE</u>	<u>HDPE PRICE</u>	<u>Polypropylene Price</u>	<u>PVDF Price</u>
15 (elliptical—Spot Sprayer)	15 x 15 x 30	5	FSB015-SS	\$74.00		
25 (elliptical—Spot Sprayer)	19 x 15 x 30	5	FSB025-SS	\$84.00		
35	18 x 35	5	FSB035-18	\$92.00	\$200.00	\$1,825.00
65	24 x 40	8	FSB065-24	\$154.00	\$320.00	\$3,125.00
125	32 x 41	8	FSB125-32	\$234.00	\$600.00	\$5,300.00
225	38 x 52	8	FSB225-38	\$320.00	\$750.00	\$6,650.00
325	38 x 68	8	FSB325-38	\$400.00	\$1,025.00	\$9,650.00
500	48 x 72	16	FSB500-48	\$540.00	\$1,475.00	\$14,900.00

TIE DOWN STRAPS

<u>ITEM</u>	<u>PRICE</u>	<u>ITEM CODE</u>
Stainless Steel Tie-Down Straps/35 gal. Horizontal	\$60.00/set of 2	STRAPS/035H
Stainless Steel Tie-Down Straps/65 gal. Horizontal	\$60.00/set of 2	STRAPS/065H
Stainless Steel Tie-Down Straps/125 gal. Horizontal	\$60.00/set of 2	STRAPS/125
Stainless Steel Tie-Down Straps/225 gal. Horizontal	\$70.00/set of 2	STRAPS/225
Stainless Steel Tie-Down Straps/325 gal. Horizontal	\$70.00/set of 2	STRAPS/325
Stainless Steel Tie-Down Straps/500 gal. Horizontal	\$80.00/set of 2	STRAPS/500

CONTAINMENT TANKS

<u>SIZE (GAL)</u>	<u>L x W x H (")</u>	<u>WT. (LB)</u>	<u>LID (")</u>	<u>PRICE</u>	<u>ITEM CODE</u>
125	51 x 44 x 18 (Stepped)	27	OPEN TOP	\$196.00	CTB00125
300	86 x 56 x 21	100	OPEN TOP	\$476.00	CTB00300
500	102 x 81 x 20	150	OPEN TOP, SUPPORTS REQUIRED	\$602.00	CTB00500
1000	102 x 81 x 40	400		\$1,070.00	CTB01000

Updated July 20, 2009. Prices subject to change without notice.



Bailiff Enterprises, Inc. USA



These tanks are natural in color and molded to a 1.9 Specific Gravity Rating. Add 10% to the listed price for HDPE tanks made in other colors.

OPEN TOP TANKS

SIZE (GAL)	DIA x HT (")	HDPE LID PRICE	ITEM CODE	HDPE PRICE	Polypropylene Price	PVDF Price
55	22 x 41	\$23.00	OTB055-22	\$114.00	\$350.00	\$2,650.00
100	28 x 45	\$34.00	OTB100-28	\$156.00	\$500.00	\$4,000.00
150	31 x 51	\$39.00	OTB150-31	\$198.00	\$625.00	\$5,275.00
200	36 x 50	\$45.00	OTB200-36	\$218.00	\$725.00	\$5,700.00
350	56 X 34		OTB350-56	\$448.00	\$1,050.00	\$7,950.00
500	56 X 49		OTB500-56	\$536.00	\$1,325.00	\$10,550.00

Hinged Lid Pricing Available on Request.



These tanks are natural in color and molded to a 1.9 Specific Gravity Rating. Add 10% to the listed price for HDPE tanks made in other colors.

RECTANGULAR TANKS

200 and 300 gallon Rectangular tanks require sidewall support.

SIZE (GAL)	L x W x H (")	LID (")	ITEM CODE	HDPE PRICE	Polypropylene Price	PVDF Price
16	20 x 14x 14	6	RTB016-20	\$78.00	\$200.00	\$1,000.00
25	34 x 14 x 12	6	RTB025-34	\$92.00	\$250.00	\$1,625.00
30	30 x 19 x 13	2/4	RTB030-30	\$100.00	\$275.00	\$1,900.00
40	43 x 18 x 14	2/4	RTB040-43	\$110.00	\$300.00	\$2,350.00
50	41 x 26 x 15	8	RTB050-41	\$130.00	\$375.00	\$3,300.00
65	38 x 23 x 18	4	RTB065-38	\$156.00	\$500.00	\$3,400.00
85	36 x 24 x 24	Open Top/ Box Lid or 8" Lid	RTB085-36	\$190.00	\$525.00	\$4,100.00
100	41 x 26 x 28	8	RTB100-41	\$198.00	\$550.00	\$4,850.00
150	55 x 36 x 20	6	MPTB150-55	\$260.00	\$700.00	\$9,300.00
200	58 x 30 x 30	8	RTB200-58	\$398.00	\$1,025.00	\$8,350.00
250	68 x 48 x 19	No Lid Opening	MPTB250-68	\$346.00	\$1,200.00	\$9,700.00
300	58 x 30 x 44	8	RTB300-58	\$498.00	\$1,325.00	\$12,700.00

Updated July 20, 2009. Prices subject to change without notice.



Bailiff Enterprises,

USA

OPEN TOP CONE BOTTOM TANKS

<u>SIZE (GAL)</u>	<u>DIA x HT (")</u>	<u>HDPE LID PRICE</u>	<u>ITEM CODE</u>	<u>HDPE PRICE</u>	<u>Polypropylene Price</u>	<u>PVDF Price</u>
100	36 x 38	\$40.00	OTCB00100-36	\$225.00	\$360.00	\$3,450.00
150	36 x 54	\$40.00	OTCB00150-36	\$292.00	\$530.00	\$5,150.00
500	52 X 82	\$40.00	OTCB00500-52	\$450.00	\$1,085.00	\$11,275.00

Hinged Lid Pricing Available on Request.

Saddle/Dish Bottom Tank

<u>SIZE (GAL)</u>	<u>DIA X HEIGHT (")</u>	<u>ITEM CODE</u>	<u>HDPE Price</u>	<u>Polypropylene Price</u>	<u>PVDF Price</u>
475	50 x 57	DTB00475-50	\$400.00	\$725.00	\$8,500.00

Domed at each end. Can be used horizontally or vertically.

POLYETHYLENE FORKLIFT-ABLE PALLET/BASE

<u>SIZE (GAL)</u>	<u>DIA X HEIGHT (")</u>	<u>WT (LB)</u>	<u>PRICE</u>	<u>ITEM CODE</u>
Fits 46" & 48" Vertical Tanks	50x50x6	45	\$86.00	Pallet-48

Sturdy, Forklift-able, single-piece molded pallets designed for our tanks up to 300 gallons.



Bailiff Enterprises, Inc. USA

Installed BULKHEAD TANK FITTINGS

Bulkhead Prices are for INSTALLED fittings with EPDM or BUNA Gaskets. VITON and other gasket materials available on request. Additional charges apply.

<u>SIZE</u>	<u>POLYPRO [TF]</u>	<u>PVC [BF-ND]</u>	<u>STAINLESS STEEL [0630]</u>	<u>SELF ALIGNING PVC [SF10]</u>
1/2"	\$20.00	\$25.00	\$150.00	
3/4"	\$20.00	\$26.00	\$150.00	
1"	\$22.00	\$28.00	\$156.00	\$133.00
1-1/4"	\$22.00	\$34.00	\$160.00	
1-1/2"	\$26.00	\$35.00	\$165.00	
2"	\$26.00	\$43.00	\$180.00	\$188.80
3"	\$45.00	\$68.00	\$425.00	\$278.50
4"	NA	\$120.00	\$610.00	

Installed POLYETHYLENE WELDED COUPLINGS (Threaded)

1/2"	3/4"	1"	1-1/2"	2"	3"	4"
\$40.00	\$40.00	\$45.00	\$45.00	\$55.00	\$75.00	\$100.00

Prices are higher for couplings that pass through 2 walls of a double containment tank.

Installed POLYETHYLENE 150# WELDED FLANGES [WF]

<u>SIZE</u>	<u>PRICE</u>	<u>SIZE</u>	<u>PRICE</u>	<u>SIZE</u>	<u>PRICE</u>	<u>SIZE</u>	<u>PRICE</u>
1/2"	\$150.00	1-1/2"	\$150.00	4"	\$175.00	10"	\$409.00
3/4"	\$150.00	2"	\$160.00	6"	\$270.00	12"	\$421.00
1"	\$150.00	3"	\$167.00	8"	\$332.00	18"	\$1250.00
						24"	\$1960.00

Installed POLYETHYLENE SPIN WELD FITTINGS (Threaded)

1/4", 3/8", 1/2"	3/4", 1"	1-1/2" & 2"
\$20.00	\$25.00	\$75.00

Replacement Tank Lids & Caps (Sold Loose)

<u>SIZE</u>	<u>PRICE</u>
6" CAP with spring vent	\$ 9.00
7" CAP unvented DOT	\$13.50

<u>SIZE</u>	<u>PRICE</u>
8" Vented Lid	\$25.00
16" Vented Lid	\$37.00
24" Vented Lid	\$95.25

Prices effective July 20, 2009. Prices subject to change without notice.



Bailiff Enterprises, Inc. USA

Terms & Conditions

Warranty

Bailiff Enterprises, Inc. offers a limited three year **warranty** from the date of manufacture on all our tanks. Should a defect in workmanship or material appear under normal use, service and maintenance **within the warranty period** Bailiff Enterprises, Inc. will, at it's option, either supply a new, equivalent tank in replacement thereof or repair the original tank or refund a prorated portion of the purchase price. Bailiff Enterprises liability is limited to the tank itself and specifically excludes the cost of installation and/or removal or consequential damages. Please contact your chemical supplier for chemical resistance information. Operating beyond the temperature limits of a tank; operating at other than atmospheric pressure; or storing material that is chemically unsuitable for a tank are some specific examples of actions that void our warranty.

Bailiff Enterprises, Inc makes no warranty other than that stated above and hereby disclaims all other warranties, expressed or implied, including but not limited to any implied warranty of merchantability or fitness for a particular purpose.

Freight Claims

The person who signs the bill of lading when tanks are delivered **MUST** note any visible damage **on the bill of lading**. If there is no indication of damage, trucking companies will deny claims for damage in transit.

We at Bailiff Enterprises, Inc. take great care to ship tanks that are in excellent condition. Once they leave our site, damage can occur while the tanks are in the hands of the trucking company. If there is no notation of damage on the signed bill of lading, trucking companies deny claims of damage. It is their right to do so.

It is important that whoever receives the tanks be trained to look for damage and note it on the bill of lading. Even if there is no designated space for such a notation, it must be written on the bill of lading.

We value our customers and will assist in pursuing valid claims for damage to tanks when they are in transit. That being said, we cannot pursue such claims if the receiver of the tanks does not note damage.

Sales Tax, Prices and Currency

All domestic applicable state and local taxes will be added to your invoice unless a certificate of sales tax exemption is provided in advance to Bailiff Enterprises, Inc.

Prices are in U.S. Dollars. Prices are subject to change without notice. Prices effective on the date of shipment are those under which the order will be billed. Prices subject to change without notice.

Return Goods

All returns are subject to a restocking charge of 15% and must have a prior return authorization from Bailiff Enterprises, Inc. Returns without authorization will not be accepted.

Prices subject to change without notice.