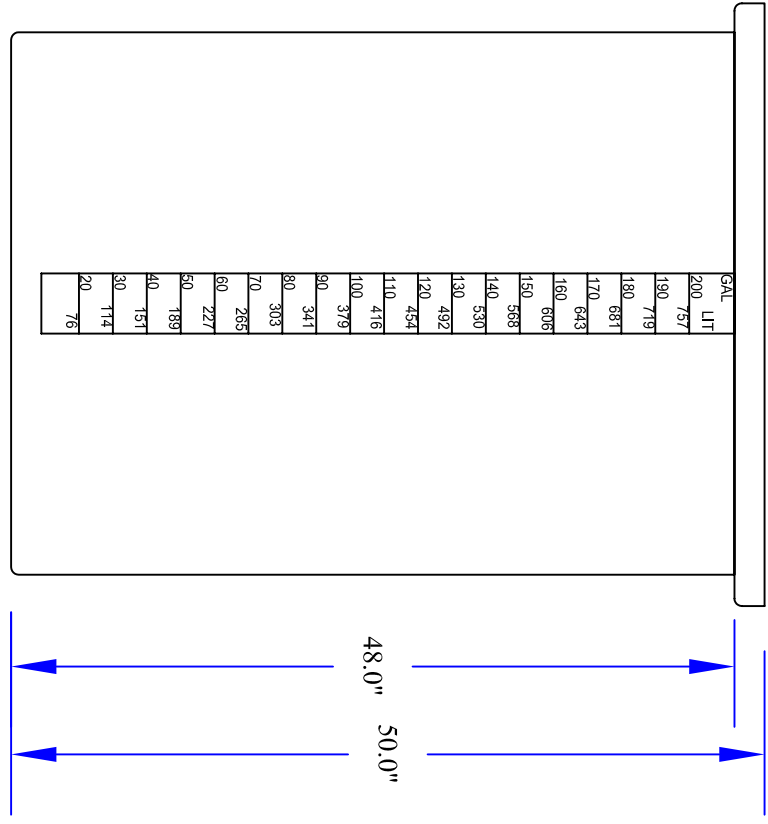
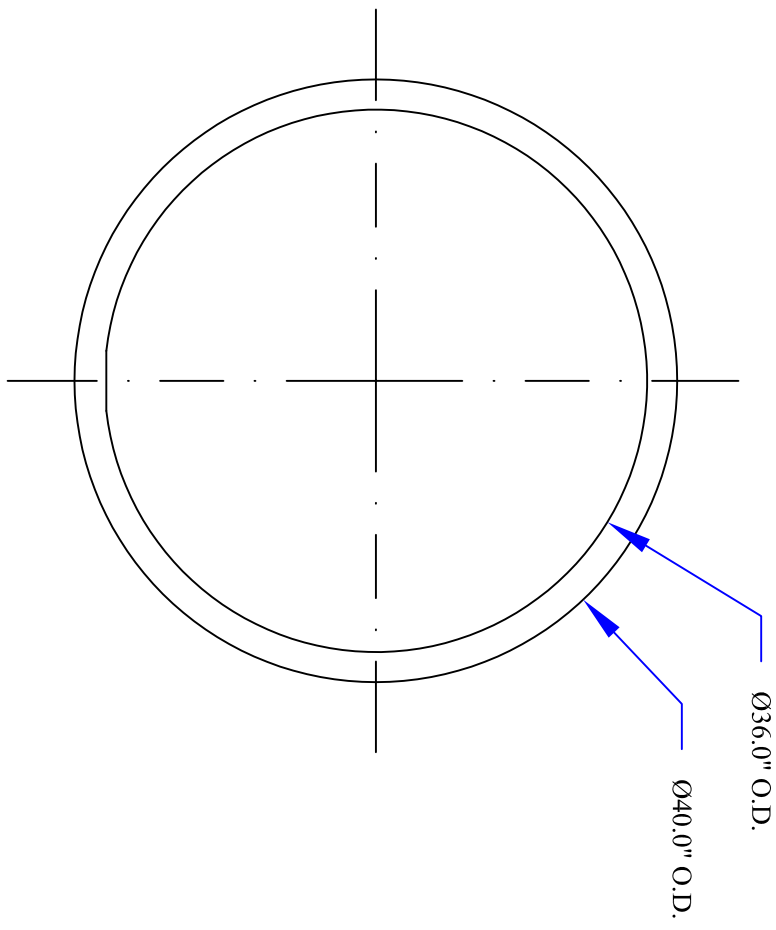


SIDE VIEW



TOP VIEW



NOTE: CALIBRATED IN GALLONS AND LITERS.

DRAWN / DATE MPS/6/7/03		MATERIAL / SHOT WEIGHT HDPE 60 LBS.		CLIENT / DESCRIPTION 200 GALLON OPEN TOP TANK	
APPRD. / DATE		NOTES:		SCALE N.S. PART NO. OTB200-36	
THIRD ANGLE PROJECTION ANSI 14.3M				BAILIFF ENTERPRISES, INC. 8423 AIRLINE DRIVE, HOUSTON, TEXAS 77037 PHONE (281) 447-5372 FAX (281) 999-1223	
REV	DESCRIPTION	DATE	APPRD	ALL DIMENSIONS ARE IN DECIMAL INCHES TOLERANCES UNLESS OTHERWISE SPECIFIED + .5% @ 68° F	