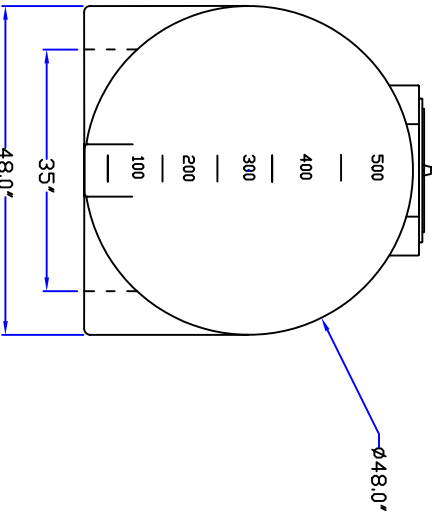
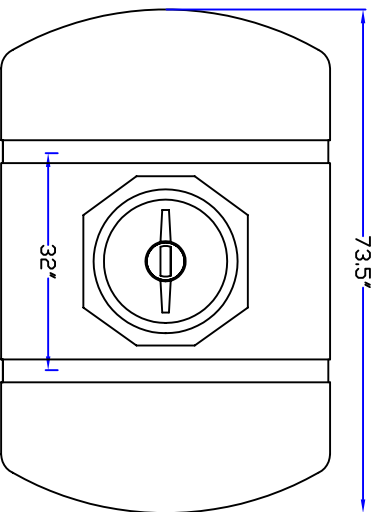


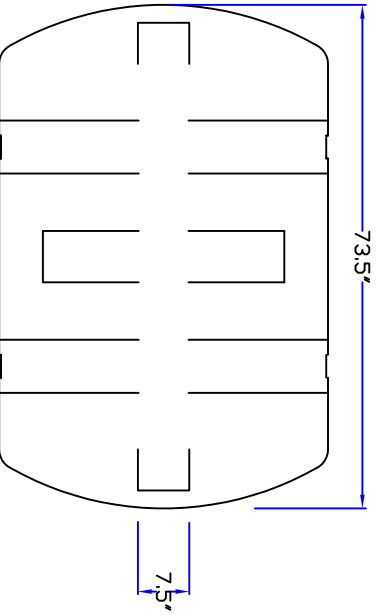
END VIEW



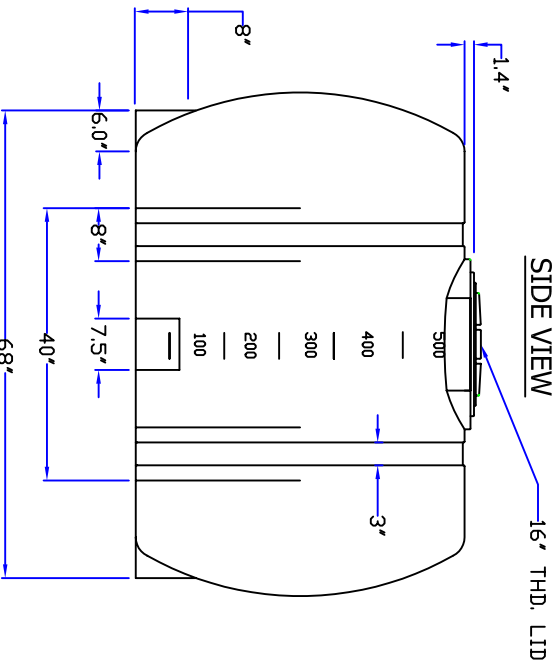
TOP VIEW



BOTTOM VIEW



SIDE VIEW



NOTE: CALIBRATED IN GALLONS ON FRONT AND END.

REV	DESCRIPTION	DATE	APPRD

DRAWN / DATE

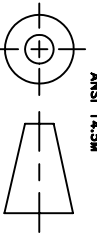
MPS/6/11/03

APPRD. / DATE

MATERIAL / SHOT WEIGHT

HDPE 170 LBS.

THIRD ANGLE PROJECTION  
ANSI 14.5M



NOTES:

CLIENT / DESCRIPTION

500 GALLON HORIZONTAL TANK

**BALLIFF ENTERPRISES, INC.**

8423 AIRLINE DRIVE, HOUSTON, TEXAS 77037  
PHONE (281) 447-5372 FAX (281) 999-1223

SCALE

N.S.

PART NO.

FSB0500-48

ALL DIMENSIONS ARE IN DECIMAL INCHES  
TOLERANCES UNLESS OTHERWISE SPECIFIED  
+ .5% @ 68° F